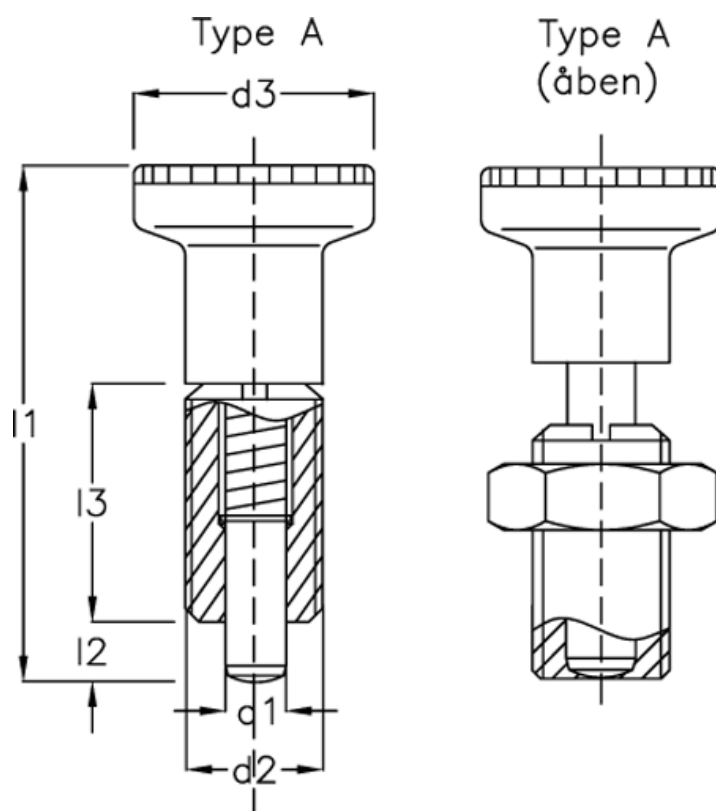


Article number: 208900051

Description: E+G indexing plunger
GN 613-8-A-NI, nickel plated plunger

Measures



d1	= 8
d2	= M16x1,5
d3	= 31
l1	= 69.0
l2	= 8
l3	= 34
Screwdriver	= GN613.1-8
Spring pressure N bottom	= 26

Spring pressure N top = 9